

5.0 FOOT DIA. PRECAST MANHOLE

SPECIFICATIONS / STEWART CONCRETE STANDARDS

STRUCTURE CONFORMS TO ASTM C478-02

DESIGN: HS-25 TRAFFIC LOADING

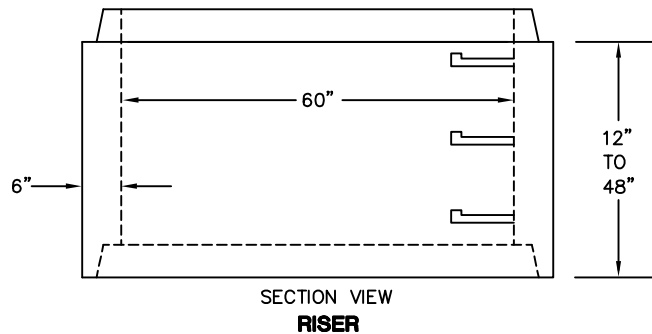
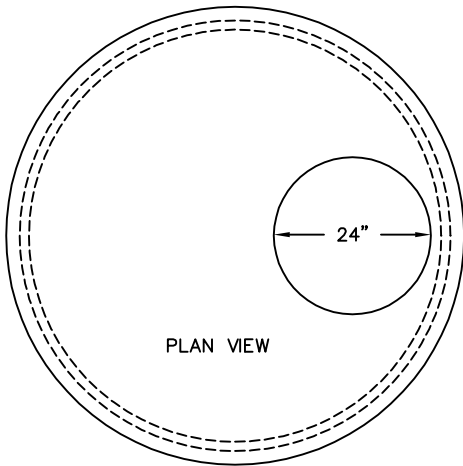
4000 PSI MIN. AT 28 DAYS, A-LOK GASKETS AS REQUIRED

MA INDUSTRIES PS-2-PF STEPS (OPTIONAL)

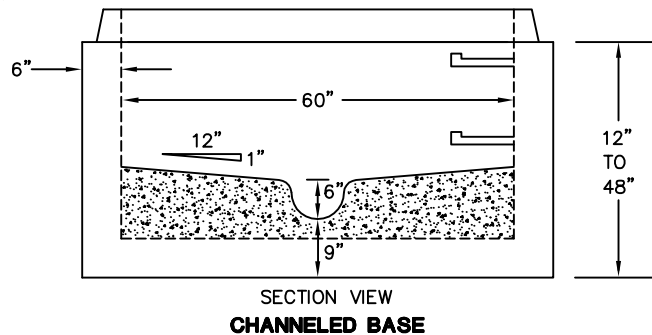
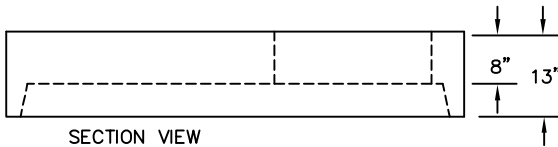
RAMNEK MASTIC JOINTSEAL AS REQUIRED



**STEWART
CONCRETE
PRODUCTS**



FLAT SLAB



STEWART CONCRETE PRODUCTS
2179 HIGHWAY 32
HALFWAY, MISSOURI 65663
(800) 798-0183 FAX (417) 445-2681

www.stewartconcrete.net