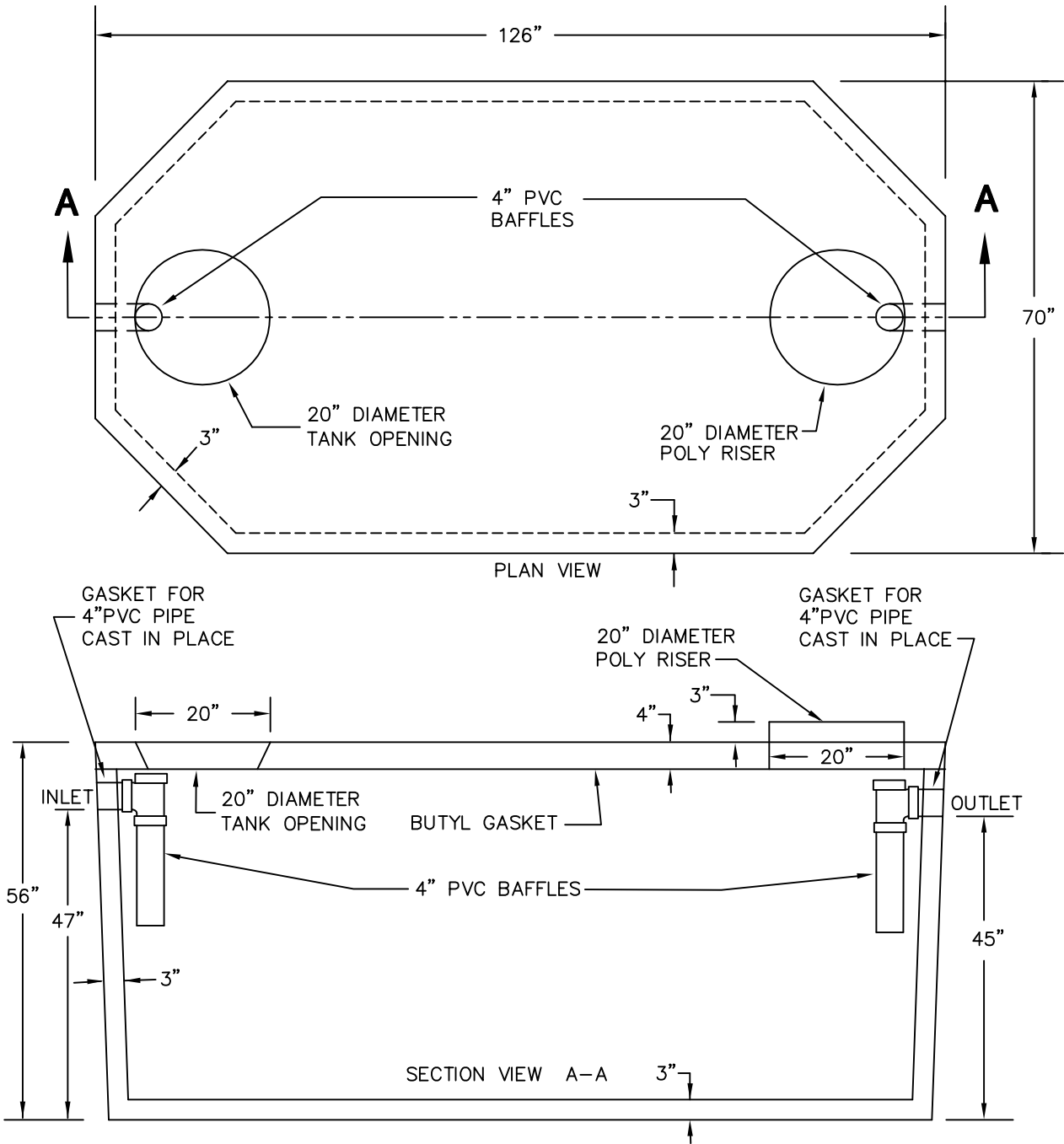


**SEPTIC TANK - LOW PROFILE - 1250 GALLON  
ONE PIECE WITH POLY RISER**

SPECIFICATIONS / STEWART CONCRETE STANDARDS  
5000 PSI MINIMUM AT 28 DAYS  
DESIGN MAXIMUM EARTH COVER IS 3.0'; NO TRAFFIC LOADS  
BUTYL GASKET PROVIDED FOR JOINT



**STEWART  
CONCRETE  
PRODUCTS**



STEWART CONCRETE PRODUCTS  
2179 HIGHWAY 32  
HALFWAY, MISSOURI 65663  
(800) 798-0183 FAX (417) 445-2681

[www.stewartconcrete.net](http://www.stewartconcrete.net)