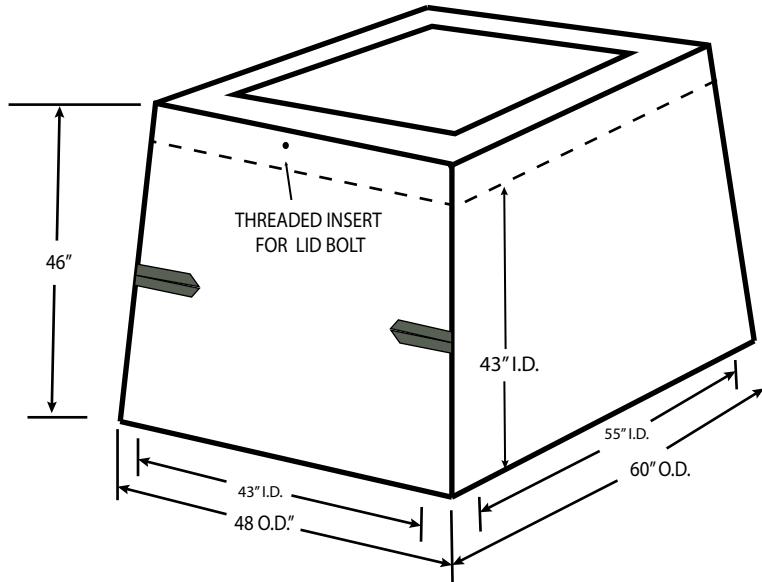


EASY ACCESS WELL HOUSE H/W

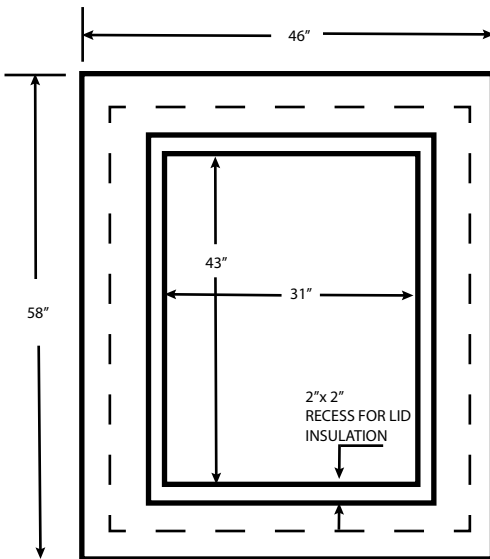
WITH 14 GAUGE GALVANIZED BOLT DOWN TOP



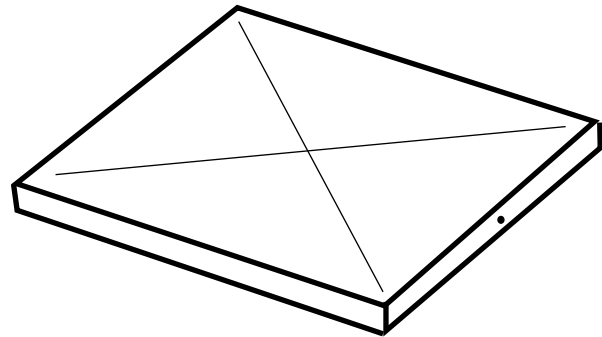
**STEWART
CONCRETE
PRODUCTS**



*** OPTION ***
WELL HOUSE INSULATION KIT
AVAILABLE FOR ADDITIONAL
COST



TOP VIEW



14 GAUGE GALVANIZED
BOLT DOWN LID

STEWART CONCRETE PRODUCTS
2179 HWY 32
HALFWAY, MISSOURI 65663
(800) 798-0183 FAX (417)445-2681

www.stewartconcrete.net