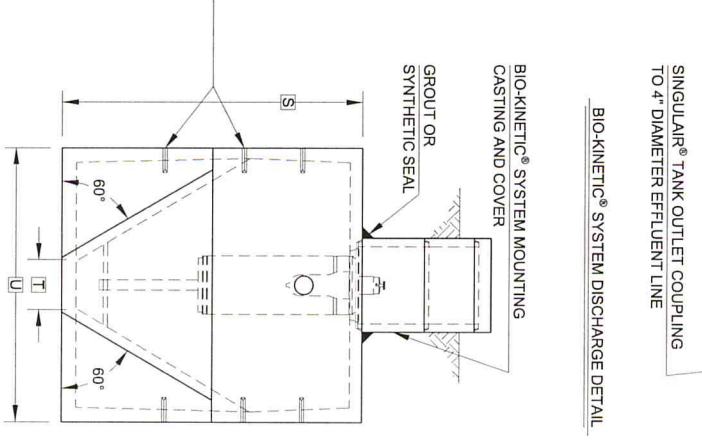
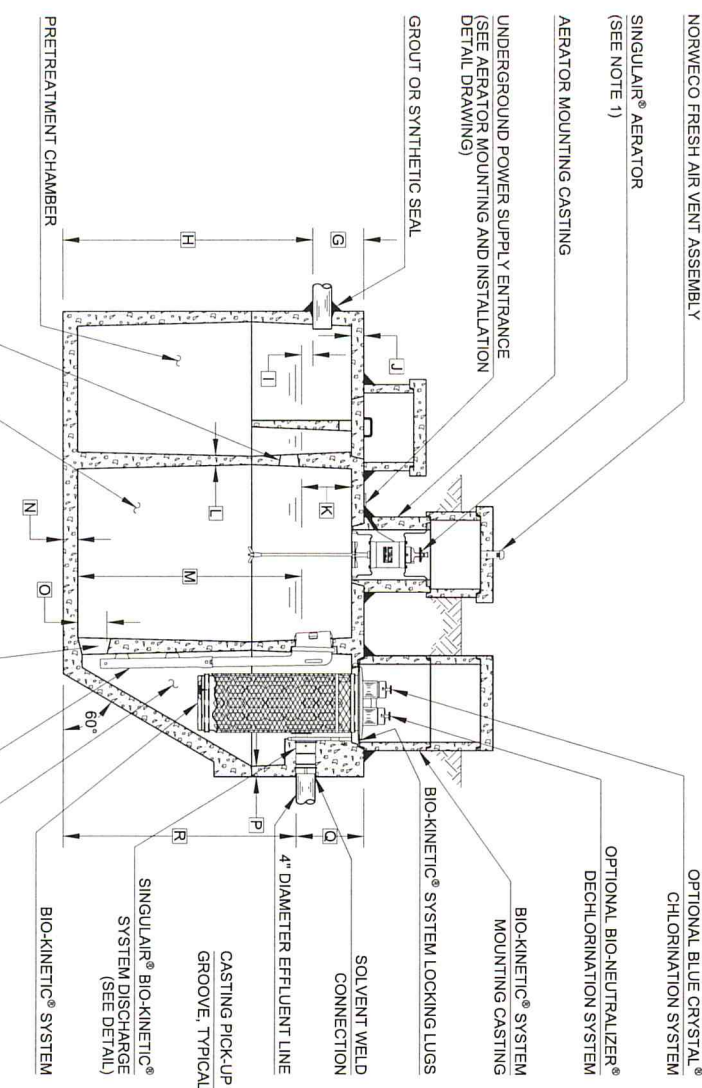


- GENERAL NOTES:
- 1 SINGULAR® AERATOR AS TESTED AND ACCEPTED BY NSF.
 - 2 FALL THROUGH SINGULAR® PLANT FROM INLET INVERT TO OUTLET INVERT IS FOUR INCHES. INLET INVERT IS TWELVE INCHES BELOW TANK TOP.
 - 3 ON DEEPER INSTALLATIONS, PRECAST RISERS MUST BE USED TO EXTEND AERATOR MOUNTING CASTING AND BIO-KINETIC® SYSTEM MOUNTING CASTING TO GRADE. INSPECTION COVER ON PRETREATMENT CHAMBER MUST BE DEVELOPED TO WITHIN TWELVE INCHES OF GRADE.
 - 4 TANK REINFORCED PER ACI STD. 318-02.
 - 5 REMOVABLE COVERS ON RISERS WEIGH IN EXCESS OF SEVENTY-FIVE POUNDS EACH TO PREVENT UNAUTHORIZED ACCESS.
 - 6 CONTACT THE LOCAL, LICENSED SINGULAR® DISTRIBUTOR FOR ELECTRICAL REQUIREMENTS.



NOTE: TOTAL SYSTEM CAPACITY: 1,300 GALLONS
RATED CAPACITY: 500 GALLONS PER DAY

PROJECT ENGINEER'S APPROVAL:
I (WE) HEREBY CERTIFY THAT THIS DRAWING HAS BEEN CHECKED AND IS APPROVED FOR USE IN CONFORMITY WITH THE CONTRACT DOCUMENTS.
DATE: _____

CONTRACTOR'S CERTIFICATION:
I (WE) HEREBY CERTIFY THAT THIS DRAWING HAS BEEN CHECKED AND IS APPROVED FOR USE IN CONFORMITY WITH THE CONTRACT DOCUMENTS.
DATE: _____

NAME: _____
NAME: _____

CRITICAL DIMENSIONS	
A	1'-0"
B	2'-9"
C	2'-8"
D	3'-7"
E	2'-3"
F	9'-3"
G	1'-0"
H	5'-0"
I	0'-3"
J	0'-3"
K	1'-0"
L	0'-2"
M	4'-6"
N	0'-3"
O	0'-6"
P	0'-2 1/2"
Q	1'-4"
R	4'-8"
S	6'-0"
T	1'-0"
U	5'-6"
V	0'-3"
W	0'-3"
X	1'-0"
Y	0'-3"
Z	0'-3"

U.S. FOREIGN PATENTS PENDING
MAY 11 2006
notweco®
SINGULAR® BIO-KINETIC® WASTEWATER TREATMENT SYSTEM
MODEL 980 - 500 GPD
DATE: 4-13-06
DRAWN BY: TJH
CHECKED BY: JMM
DATE: 1-9-96
SCALE: NTS
PROJECT: PC-5-7006