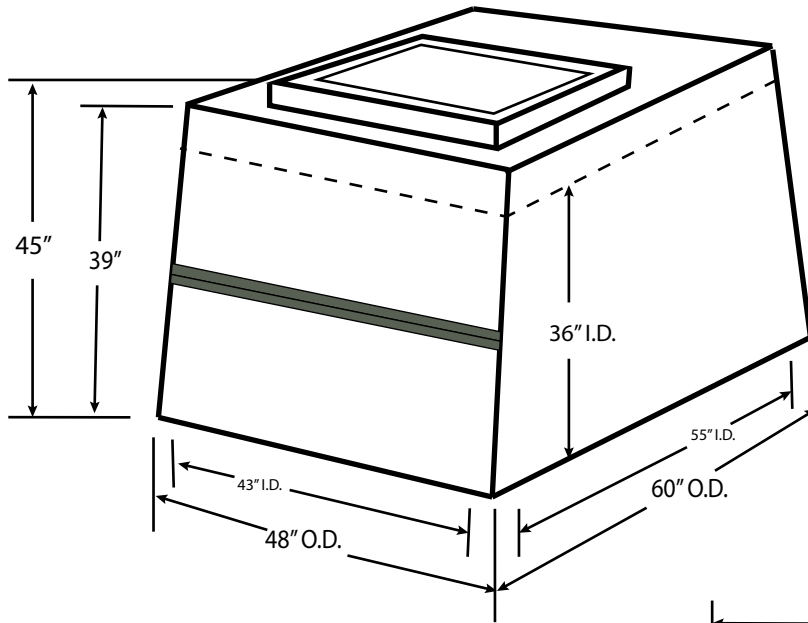
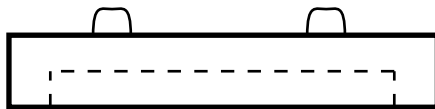


# PRECAST WELL HOUSE H/W

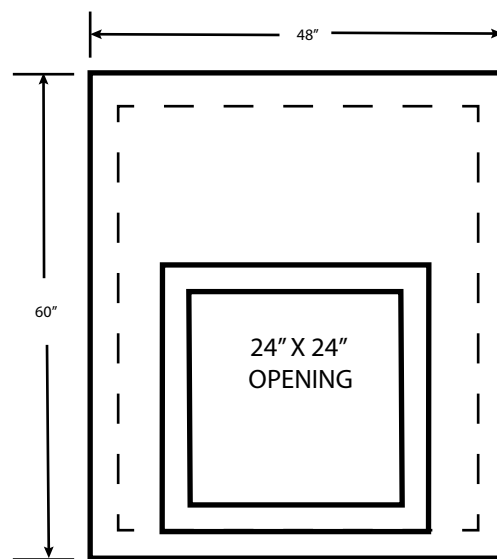
WITH CONCRETE LID AND OPTIONAL EXTENTION



60"x 48" KEYED EXTENSION  
(OPTIONAL)



CONCRETE LID WITH  
LIFTING LOOPS



TOP VIEW

STEWART CONCRETE PRODUCTS  
2179 HWY 32  
HALFWAY, MISSOURI 65663  
(800) 798-0183 FAX (417)445-2681

[www.stewartconcrete.net](http://www.stewartconcrete.net)