

Curb Inlet Box Type C

SPECIFICATIONS / STEWART CONCRETE STANDARDS

4500 PSI MINIMUM AT 28 DAYS

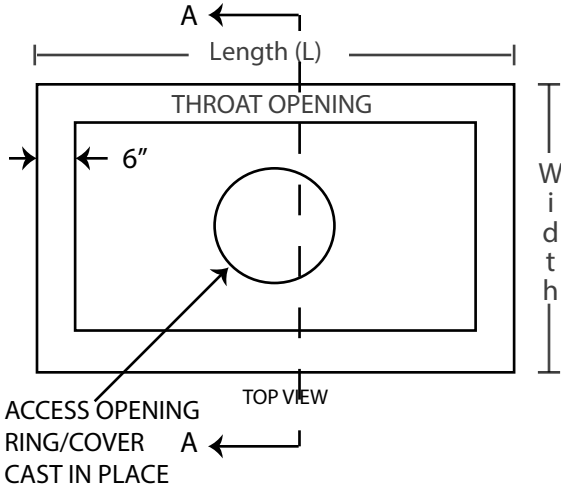
BOTTOM OF THE INLET AS PER DRAWING

#4 BARS AT 10" O.C.E.W.

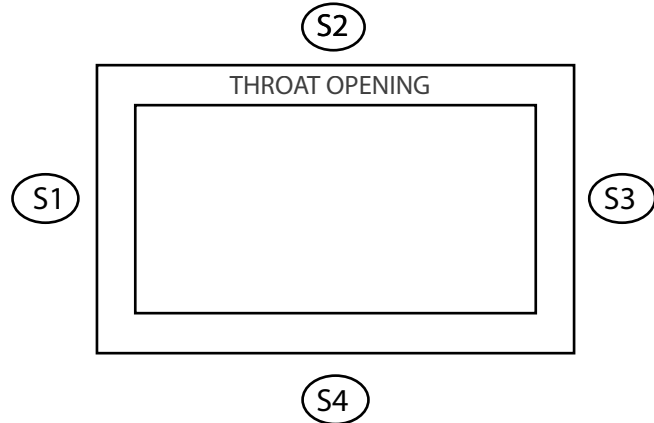
OVERSIZED PIPE OPENING TO BE GROUTED IN BY



**STEWART
CONCRETE
PRODUCTS**

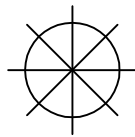


Job _____ Box _____



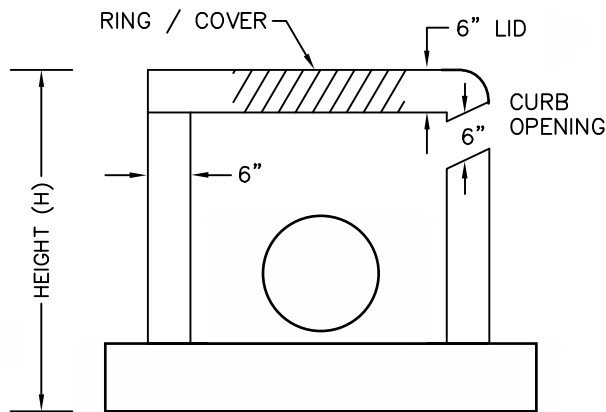
DESIGN DIMENSIONS
LENGTH
WIDTH
HEIGHT
OPENING
RING / COVER
EXTENDED BASE
FLOOR

DIRECTION FROM NORTH



S1
IN
OUT
NONE
SIZE
ELEV.
TYPE OF OPENING

S2
IN
OUT
NONE
SIZE
ELEV.
TYPE OF OPENING



SECTION VIEW A-A

S3
IN
OUT
NONE
SIZE
ELEV.
TYPE OF OPENING

S4
IN
OUT
NONE
SIZE
ELEV.
TYPE OF OPENING

STEWART CONCRETE PRODUCTS
700 E. WARE
WEBB CITY, MISSOURI 64870
(888) 673-3321 FAX (417) 673-3172

www.stewartconcrete.net