

YARD INLET BOX

ASTM C33, 150

SPECIFICATIONS / STEWART CONCRETE STANDARDS

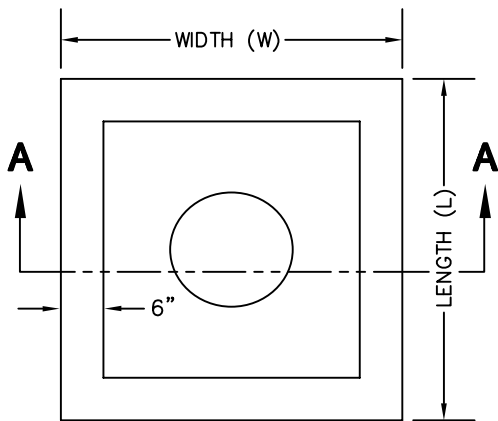
4500 PSI MINIMUM AT 28 DAYS

#4 BARS AT 12" O.C. E.W.

6 INCH LID WITH FRAME / GRATE CAST IN



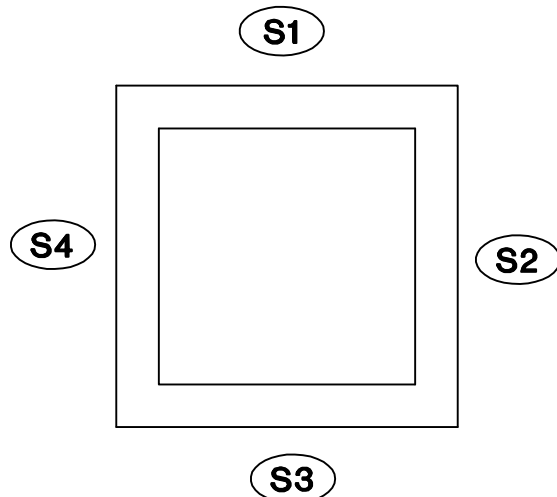
**STEWART
CONCRETE
PRODUCTS**



TOP VIEW

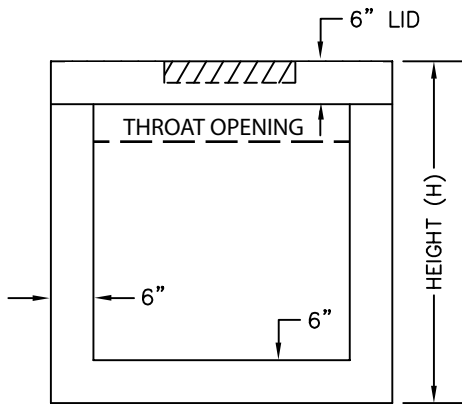
JOB

BOX #



DESIGN DIMENSIONS

LENGTH
WIDTH
HEIGHT
RING/COVER
THROAT OPENINGS
THROAT OPENING SIZE



SECTION VIEW A-A

S1	
IN	
OUT	
NONE	
SIZE	
ELEV.	
TYPE OF OPENING	

S2	
IN	
OUT	
NONE	
SIZE	
ELEV.	
TYPE OF OPENING	

S3	
IN	
OUT	
NONE	
SIZE	
ELEV.	
TYPE OF OPENING	

S4	
IN	
OUT	
NONE	
SIZE	
ELEV.	
TYPE OF OPENING	

STEWART CONCRETE PRODUCTS
700 E. WARE
WEBB CITY, MISSOURI 64870
(888) 673-3321 FAX (417) 673-3172

www.stewartconcrete.net