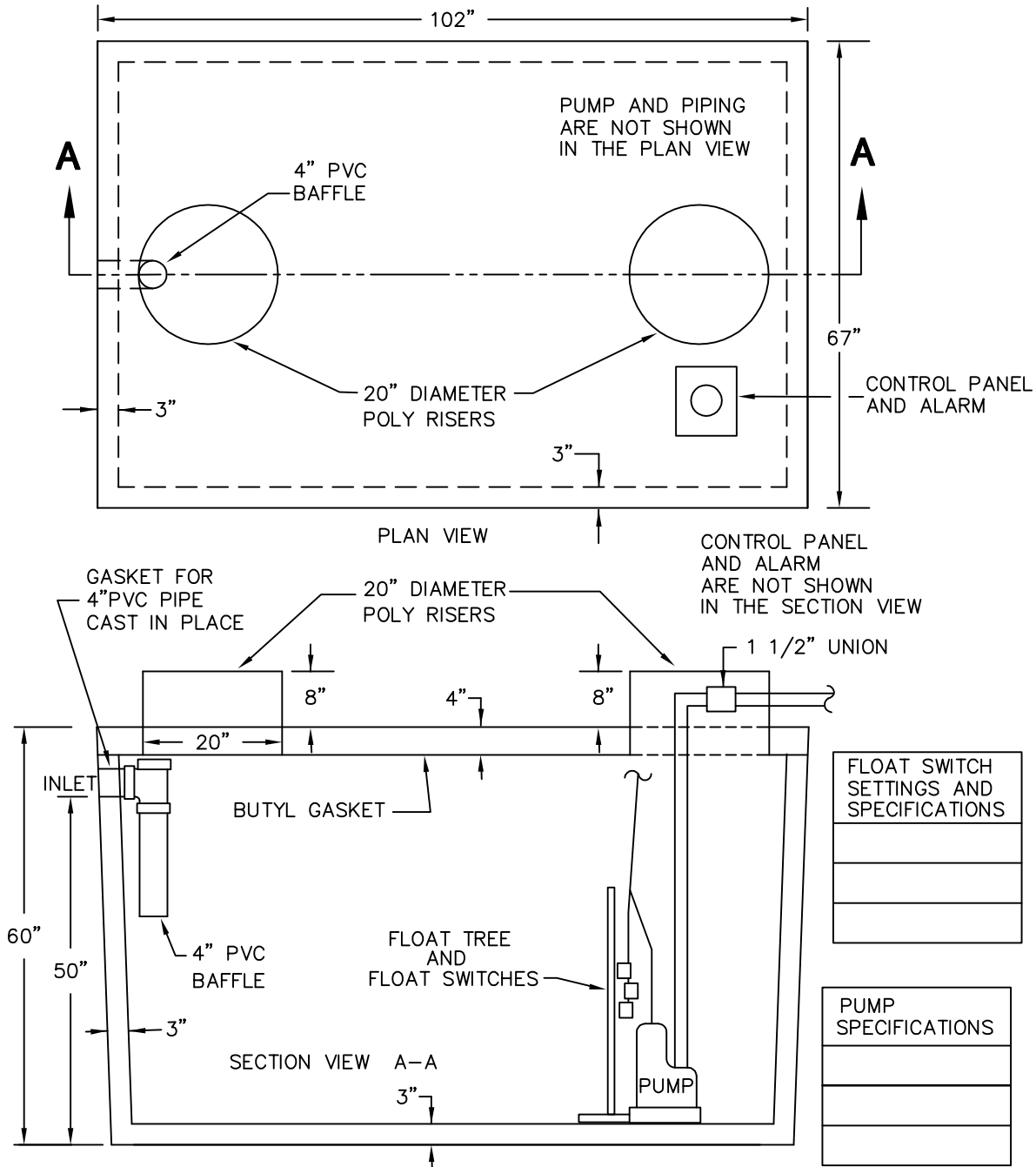


PUMP TANK - 1000 GALLON ONE PIECE WITH POLY RISERS

SPECIFICATIONS / STEWART CONCRETE STANDARDS
 5000 PSI MINIMUM AT 28 DAYS
 DESIGN MAXIMUM EARTH COVER IS 3.0'; NO TRAFFIC LOADS
 BUTYL GASKET PROVIDED FOR JOINT



STEWART CONCRETE PRODUCTS
 2179 HIGHWAY 32
 HALFWAY, MISSOURI 65663
 (800) 798-0183 FAX (417) 445-2681

www.stewartconcrete.net