

# CONCRETE JUNCTION BOX

SPECIFICATIONS / STEWART CONCRETE STANDARDS  
 4500 PSI MINIMUM AT 28 DAYS  
 ALL THE REINFORCEMENT SHALL BE WITH #4 BARS  
 AT 10" O.C. E.W.

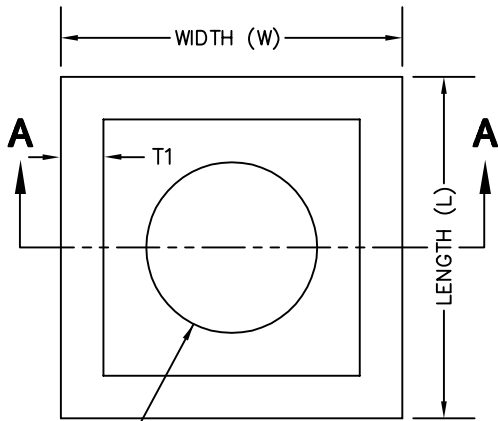
OVERSIZED PIPE OPENINGS TO BE GROUTED IN BY OTHERS



**STEWART  
 CONCRETE  
 PRODUCTS**

Job \_\_\_\_\_ Box \_\_\_\_\_

\*\* REFERS TO THE OUTSIDE  
 DIMENSIONS OF THE BOX

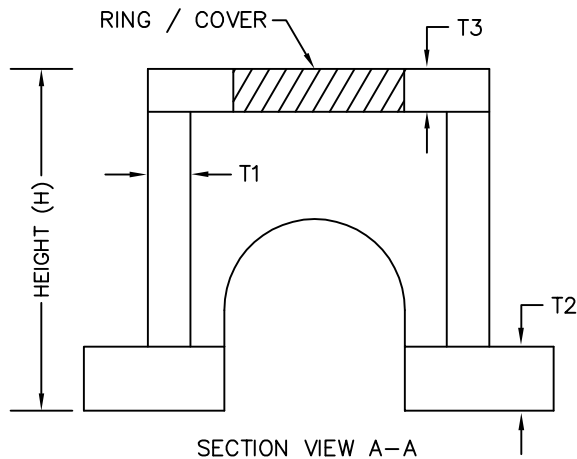
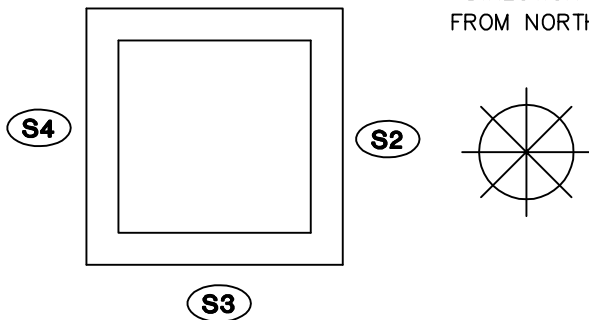


ACCESS OPENING  
 RING / COVER  
 CAST IN PLACE

TOP VIEW

**S1**

DIRECTION  
 FROM NORTH



SECTION VIEW A-A

DESIGN DIMENSIONS
LENGTH **
WIDTH **
HEIGHT **
T1 = (WALL THICKNESS)
T2 = (FLOOR THICKNESS)
T3 = (LID THICKNESS)
RING / COVER TYPE
EXTENDED BASE
PIPE OPENING TYPE

<b>S1</b>
IN
OUT
NONE
SIZE
ELEV.
TYPE OF OPENING

<b>S2</b>
IN
OUT
NONE
SIZE
ELEV.
TYPE OF OPENING

<b>S3</b>
IN
OUT
NONE
SIZE
ELEV.
TYPE OF OPENING

<b>S4</b>
IN
OUT
NONE
SIZE
ELEV.
TYPE OF OPENING

STEWART CONCRETE PRODUCTS  
 700 E. WARE  
 WEBB CITY, MISSOURI 64870  
 (888) 673-3321 FAX (417) 673-3172

www.stewartconcrete.net